

# SS14 range

SS14 is a positive ratio, miniature photocell ideal for controlling outdoor lighting in commercial, industrial, and domestic applications.

Also available is Remote version (SS14-R), which features a remote sensor head for applications where space is restricted.



## Overview:

- Highly effective miniature photocell
- Designed for commercial applications requiring positive ratio switching
- Utilises a special sensor to provide reduced sensitivity to discharge light sources
- Remote option available which has the photodiode separated from the main circuitry for tight installation restrictions or low-level installations where human interaction must be avoided.

## Features:

- Includes an Electro Magnetic Relay
- Predictive load transfer to minimise switching stresses
- Optical sensor for long term accuracy

## Specification

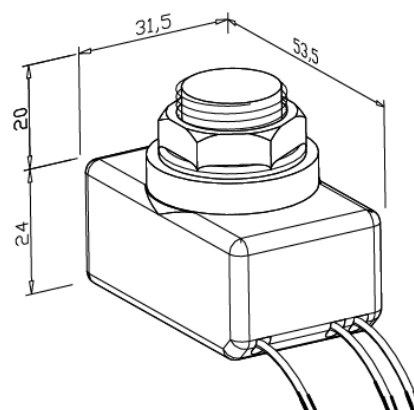
Sensor	
Photodiode	
Drift Negligible	
Switching Technology	
Electronic EM Relay Load Switching	
Switching Regime in Lux and Time	
Switching ratio	1:1.5
Switching delay	10 – 30 seconds

## SS14 range

**SS14 is a positive ratio, miniature photocell ideal for controlling outdoor lighting in commercial, industrial, and domestic applications. Also available is Remote version (SS14-R), which features a remote sensor head for applications where space is restricted.**

Load	
Maximum load for LED lighting	250 Watts
MicroMini Pro is compatible with other light sources. Maximum load for: High Pressure Sodium Metal Halide GLS or incandescent	500 Watts 500 Watts 1200 Watts
Supply and Consumption	
Voltage	198-264
Surge Suppression	20 Joules
Frequency	47-63Hz
Consumption in Watts	<0.5
UMSUG Charge Code	94 0000 0001 100
Operating Temperature	
Min/Max operating ambient temp range	-20/+75°C
Compliance and Approvals	
IP Rating	IP65 when installed
Warranty	3 years
Compliance Standards	BS5972, BS EN IEC 55015, BS EN 60529, BS EN IEC 61000-3-2, BS EN 61000-3-3, BS EN IEC 61000-4-2, BS EN IEC 61000-4-3, BS EN 61000-4-4, BS EN 61000-4-5, BS EN 61000-4-6, BS EN IEC 61000-4-11, BS EN 61347-2-11, BSEN61547

Dimensions and Construction:	SS14	SS14-R
Height	44mm over turret	Body 24mm, remote head 21mm
Length	54mm	75mm over fixings
Width	32mm	32mm
Weight	59g	61g
Fixing hole diameter	20mm hole diameter	
Lead length (230V supply)	500mm	300mm
Remote head lead length	N/A	400mm
Control circuitry	Analogue	
Body Material	UV stabilised Polycarbonate Enclosure	



Contact Customer Services for a dimensional drawing of SS14R

## Order Codes

Order Code	Description	Warranty	Lux On	Lux Off
F6085	SS14 70Lux 1:1.5	3 years	70	105
F6086	SS14 55Lux 1:1.5	3 years	55	82
F6089	SS14 35Lux 1:1.5	3 years	35	52
F6087	SS14-R 70Lux 1:1.5 c/w Remote Head	3 years	70	105



[www.lucyzodion.com](http://www.lucyzodion.com)

Zodion House, Station Road, Sowerby Bridge HX6 3AF UK

