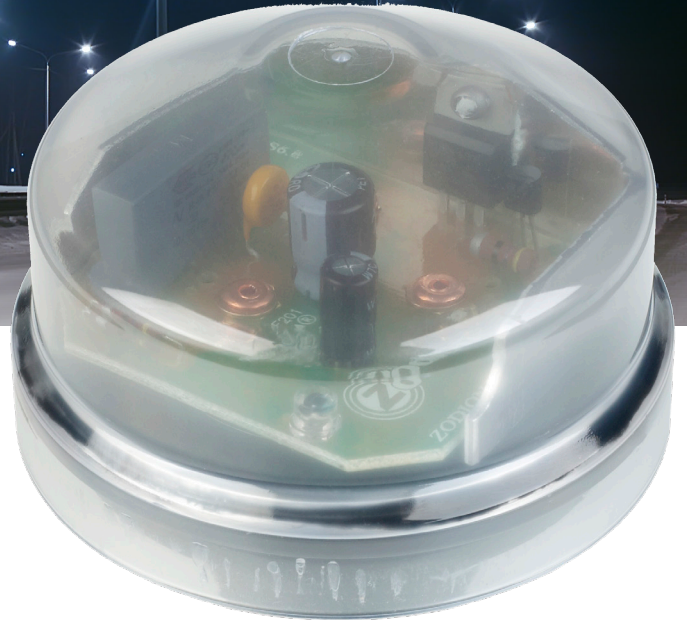


SS3

A versatile, solid state NEMA photocell with zero-cross switching used for several different applications.



Overview:

- Robust and proven circuitry ensures the product has a long and accurate life
- Zero cross switching reduces stresses

Features:

- Available for either 3 pin or 5/7 pin NEMA photocell bases
- Switching delay to avoid irregular illumination and de-illumination due to brief changes in lux level
- Solid state switching
- Filtered Photodiode

Specification

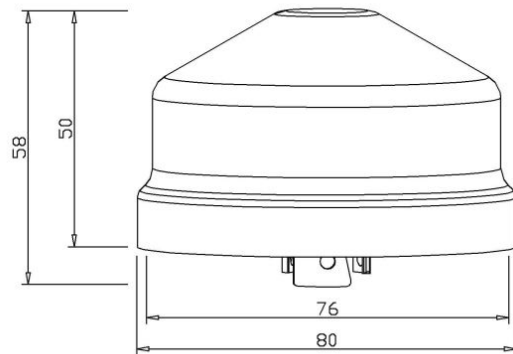
Sensor			
Filtered Photodiode			
Drift Negligible			
Switching Technology			
Electronic Solid State			
Switching Regime in Lux and Time			
Light level		Availability in SS3 range	Approximate burning hours per year
On at dusk	Off at dawn		
70 lux	35 lux	Yes	4142 hours per year
55 lux	28 lux	Yes	4122 hours per year
35 lux	18 lux	Yes	4095 hours per year
20 lux	20 lux	Yes	4083 hours per year
10 lux	10 lux	Contact Sales	4064 hours per year
Switching ratio		1:1 or 1:0.5	
Switching delay		10 - 15 seconds	

A versatile, solid state NEMA photocell with zero-cross switching used for several different applications.

Specification

Load	
Maximum load for LED lighting	400 Watts
SS3 is compatible with other light sources. Maximum load for: High Pressure Sodium Metal Halide GLS or incandescent	800 Watts 800 Watts 800 Watts
Supply and Consumption	
Voltage	198-264
Surge Suppression	20 Joules
Frequency	47-63Hz
Consumption in watts	<0.25
UMSUG Charge Code	94 0000 0001 1000 100
Operating Temperature	
Min/Max operating ambient temp range	-20/+80°C
Compliance and Approvals	
IP Rating	IP65
Warranty	4 years
Compliance Standards	BS5972, BS EN IEC 55015, BS EN 60529, BS EN IEC 61000-3-2, BS EN 61000-3-3, BS EN IEC 61000-4-2, BS EN IEC 61000-4-3, BS EN 61000-4-4, BS EN 61000-4-5, BS EN 61000-4-6, BS EN IEC 61000-4-11, BS EN 61347-2-11, BS EN 61547, RoHS. CE, UKCA

Dimensions and Construction:	
Height	50mm
Diameter	80mm
Weight	77.5G
Body Material	UV stabilised Polycarbonate Enclosure
Fixing	3 pin or 5/7 NEMA base
Control circuitry	Analogue
Terminals	Brass



Order Codes

Order Code	Description	Warranty	Lux On	Lux Off
F6032	SS3 35 Lux 1:0.5 IP65	4 years	35	18
SP01658	SS3 35 Lux 1:0.5 IP65 5-7 pin	4 years	35	18
F6054	SS3 20 Lux 1:1 IP65 5-7 pin	4 years	20	20