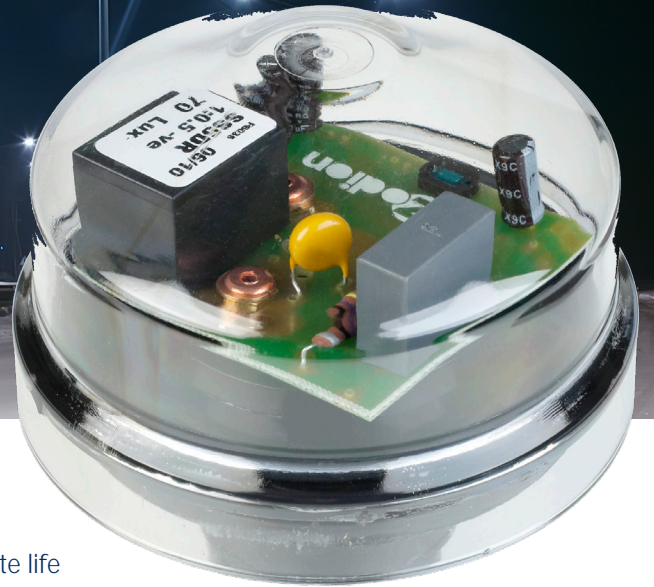


SS5DR

The SS5DR is a high grade, EM relay photocell suitable for all operating conditions. This filtered photodiode photocell can also come as a HD version which is suitable for high load switching due to its photo IC sensor.



Overview:

- Finest optical sensor ensures product has a long and accurate life
- Unique circuitry incorporates a predictive transfer algorithm
- HD option available for high load switching due to its rugged PCB design and component selection

Features:

- Available for either 3 pin or 5/7 pin NEMA photocell bases
- Switching delay to avoid irregular illumination and de-illumination due to brief changes in lux level
- Predictive Transfer Switching
- Filtered Photodiode
- Coloured banding available

Specification

| Sensor | | | |
|------------------------------------|-------------|-----------------------------|------------------------------------|
| Filtered Photodiode | | | |
| Drift Negligible | | | |
| Switching Technology | | | |
| Electronic EM Relay Load Switching | | | |
| Switching Regime in Lux and Time | | | |
| Light level | | Availability in SS5DR range | Approximate burning hours per year |
| On at dusk | Off at dawn | | |
| 70 lux | 35 lux | Yes | 4142 hours per year |
| 55 lux | 28 lux | Yes | 4122 hours per year |
| 35 lux | 18 lux | Yes | 4095 hours per year |
| 20 lux | 20 lux | Yes | 4083 hours per year |
| 10 lux | 10 lux | Yes | 4064 hours per year |
| Switching ratio | | 1:1 or 1:0.5 | |
| Switching delay | | 10 seconds | |

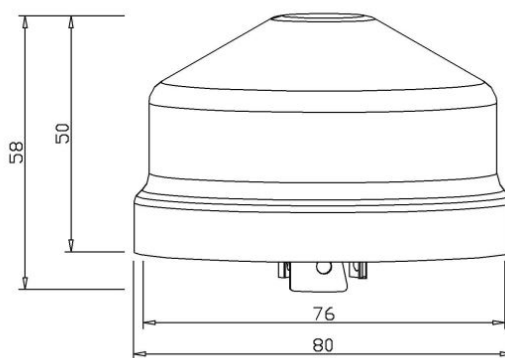
SS5DR

The SS5DR is a high grade, EM relay photocell suitable for all operating conditions. This filtered photodiode photocell can also come as a HD version which is suitable for high load switching due to its photo IC sensor.

Specification

| Load | 555DR | SS5DRHD |
|--|--|--|
| Maximum load for LED lighting | 250 Watts | 1000 Watts |
| SS5DR is compatible with other light sources. Maximum load for: High Pressure Sodium Metal Halide GLS or incandescent | 500 Watts 500 Watts 1200 Watts | 1200 Watts 1200 Watts 2400 Watts |
| Supply and Consumption | | |
| Voltage | 198-264 | |
| Surge Suppression | 38 Joules | |
| Frequency | 47-63Hz | |
| Consumption in watts | <0.25 | |
| UMSUG Charge Code | 94 0001 1000 100 | |
| Operating Temperature | | |
| Min/Max operating ambient temp range | -20/+80°C | |
| Compliance and Approvals | | |
| IP Rating | IP65 (standard) or IP66 / IP67 | |
| Warranty | 5 years | |
| Compliance Standards | BS5972, BS EN IEC 55015, BS EN 60529, BS EN IEC 61000-3-2, BS EN 61000-3-3, BS EN IEC 61000-4-2, BS EN IEC 61000-4-3, BS EN 61000-4-4, BS EN 61000-4-5, BS EN 61000-4-6, BS EN IEC 61000-4-11, BS EN 61547, RoHS. CE, UKCA | |

| Dimensions and Construction: | |
|------------------------------|---------------------------------------|
| Height | 50mm |
| Diameter | 80mm |
| Weight | 77.5g |
| Body Material | UV stabilised Polycarbonate Enclosure |
| Fixing | 3 pin or 5/7 NEMA base |
| Control circuitry | Digital |
| Terminals | Brass |



Order Codes

| Order Code | Description | Warranty | Lux On | Lux Off |
|------------|---------------------------|----------|--------|---------|
| F6035 | SS5DR 70 Lux 1:0.5 IP65 | 5 years | 70 | 35 |
| F6018 | SS5DR 55 Lux 1:0.5 IP65 | 5 years | 55 | 28 |
| F6038 | SS5DR 35 Lux 1:0.5 IP65 | 5 years | 35 | 18 |
| F6047 | SS5DRHD 35 Lux 1:0.5 IP67 | 5 years | 35 | 18 |