

SS9

SS9 is a NEMA photocell featuring Part-Night Off operation, offering ultimate energy saving by automatically switching the light off for a defined section of the night. Available in various lux-level and switching regime options.



Overview:

- Fully interchangeable with conventional all-night NEMA photocells
- Offers up to 50% energy savings when compared with the equivalent full-night photocell
- Available set to GMT part-night switching or automatic GMT/ BST (DLS) switching
- Eliminates the need for time clocks and other real-time devices

Features:

- Suitable for either 3-pin or 5/7 Pin NEMA sockets
- Also available as a M20 Conduit mounting
- Part night to off feature

Specification

Sensor			
Photo IC			
Drift Negligible			
Switching Technology			
Electronic EM Relay Load Switching			
Switching Regime in Lux and Time			
Light level		Availability in SS9 range	Typical switch regime burning hours per year based on Midnight – 5.30am OFF
On at dusk	Off at dawn		
70 lux	35 lux	Yes	2338 hours per year
55 lux	28 lux	Yes	2322 hours per year
35 lux	18 lux	Yes	2302 hours per year
Switching ratio		1:1 or 1:0.5	
Switching delay		10 seconds	

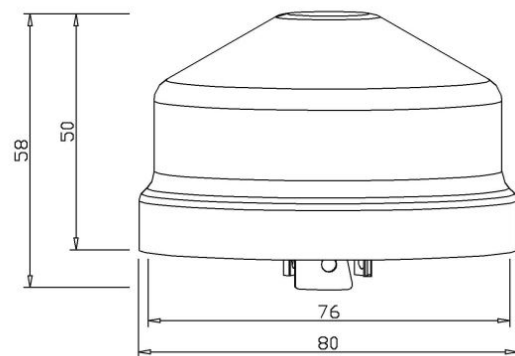
SS9

SS9 is a NEMA photocell featuring Part-Night Off operation, offering ultimate energy saving by automatically switching the light off for a defined section of the night. Available in various lux-level and switching regime options.

Specification

Load		SS9
Maximum load for LED lighting		250 Watts
SS9 is compatible with other light sources. Maximum load for: High Pressure Sodium Metal Halide GLS or incandescent		500 Watts 500 Watts 1200 Watts
Supply and Consumption		
Voltage		198-264
Surge Suppression		20 Joules
Frequency		50Hz
Consumption in Watts		<0.25
UMSUG Charge Code		94 0001 1000 100
Operating Temperature		
Min/Max operating ambient temp range		-20/+80°C
Compliance and Approvals		
IP Rating		IP65
Warranty		6 years
Compliance Standards		BS5972, BS EN IEC 55015, BS EN 60529, BS EN IEC 6100-3-2, EN 6100-3-3, BS EN IEC 61000-4-2, BS EN IEC 61000-4-3, BS EN 61000-4-4, BS EN 61000-4-5, BS EN 61000-4-6 BS EN IEC 61000-4-11, BS EN 61547

Dimensions and Construction:	
Height	50mm (71mm including fitting)
Width	ø80mm
Weight	77.5g
Fixing	NEMA/20mm Conduit
Control Circuitry	Digital
Body Material	Polycarbonate Enclosure (UV stabilised)



Order Codes

Order Code	Description	Warranty	Lux On	Lux Off
F7020-0022-70	SS9 Part Night MidN-05:30 GMT 70Lux 1:0.5	6 years	70	35
F7020-0022-55	SS9 Part Night MidN-05:30 GMT 55Lux 1:0.5	6 years	55	28
F7020-0022-35	SS9 part Night MidN-05:30 GMT 35Lux 1:0.5	6 years	35	18

Note: the above are example NEMA order codes with typical GMT part night timings. Contact Customer Services to confirm the order code for the specific version required.

