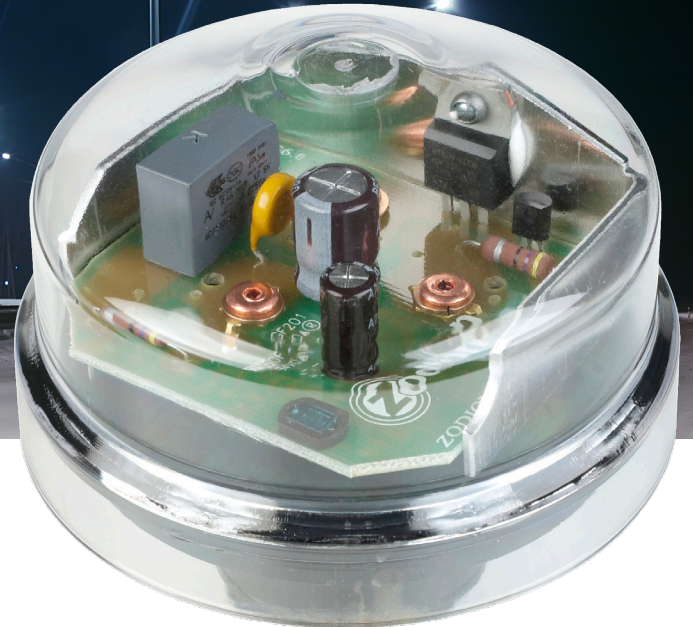


# SS6

High specification photocell suitable across all highway networks.



## Overview:

- Uses the finest optical photodiode to ensure extremely accurate switching
- Available with either a NEMA connection, or for conduit mounting (SS6C)
- Zero cross switching reduces stresses

## Features:

- Available for either 3 pin or 5/7 pin NEMA photocell bases
- Switching delay to avoid irregular illumination and de-illumination due to brief changes in lux level
- Solid state switching
- Filtered Photodiode

## Specification

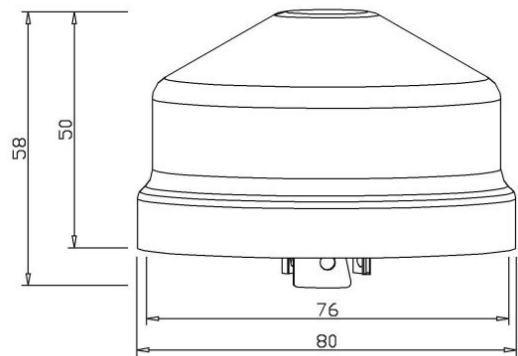
Sensor			
Filtered Photodiode			
Drift Negligible			
Switching Technology			
Electronic Solid State			
Switching Regime in Lux and Time			
Light level		Availability in SS6 range	Approximate burning hours per year
On at dusk	Off at dawn		
70 lux	35 lux	Yes	4142 hours per year
55 lux	28 lux	Yes	4122 hours per year
35 lux	18 lux	Yes	4095 hours per year
20 lux	20 lux	Yes	4083 hours per year
10 lux	10 lux	Contact sales	4064 hours per year
Switching ratio		1:1 or 1:0.5	
Switching delay		10 seconds	

# High specification photocell suitable across all highway networks.

## Specification

<b>Load</b>	
Maximum load for LED lighting	600 Watts
SS6 is compatible with other light sources. Maximum load for: High Pressure Sodium Metal Halide GLS or incandescent	1200 Watts 1200 Watts 1200 Watts
<b>Supply and Consumption</b>	
Voltage	198-264
Surge Suppression	20 Joules
Frequency	47-63Hz
Consumption in watts	<0.25
UMSUG Charge Code	94 0001 1000 100
<b>Operating Temperature</b>	
Min/Max operating ambient temp range	-20/+80°C
<b>Compliance and Approvals</b>	
IP Rating	IP65 (standard) or IP66 / IP67
Warranty	6 year warranty
Compliance Standards	BS5972, BS EN IEC 55015, BS EN 60529, BS EN IEC 61000-3-2, BS EN 61000-3-3, BS EN IEC 61000-4-2, BS EN IEC 61000-4-3, BS EN 61000-4-4, BS EN 61000-4-5, BS EN 61000-4-6, BS EN IEC 61000-4-11, BS EN 61547, RoHS. CE, UKCA

<b>Dimensions and Construction:</b>	
Height	50mm
Diameter	80mm
Weight	79g
Body Material	UV stabilised Polycarbonate Enclosure
Fixing	3 pin or 5/7 NEMA base. Conduit version available.
Control circuitry	Analogue



## Order Codes

Order Code	Description	Warranty	Lux On	Lux Off
F6037	SS6 35 Lux 1:0.5	6 years	35	18
F6050	SS6 20 Lux 1:1	6 years	20	20
SP01600	SS6 35 Lux 1:0.5 5-7 pin	6 years	35	18
SP01646	SS6 20 Lux 1:1 5-7 pin	6 years	20	20