

Super 6

High grade photocell suitable for majority of applications across all highway networks.

Provides a 10-year warranty.



Overview:

- Guaranteed to maximise operating life
- Includes ultra-long-life capacitors and high-quality printed circuit board
- Ultra-precise when switching, saving energy and cost
- Zero cross switching reduces stresses

Features:

- Available for either 3 pin or 5/7 pin NEMA photocell bases
- Switching delay to avoid irregular illumination and de-illumination due to brief changes in lux level
- Solid state switching
- Filtered Photodiode
- 10-year warranty

Specification

Sensor			
Filtered Photodiode			
Drift Negligible			
Switching Technology			
Electronic Solid State			
Switching Regime / Time saved			
Light level		Availability in Super 6 range	Approximate burning hours per year
On at dusk	Off at dawn		
70 lux	35 lux	Yes	4142 hours per year
55 lux	28 lux	Yes	4122 hours per year
35 lux	18 lux	Yes	4095 hours per year
20 lux	20 lux	Yes	4083 hours per year
10 lux	10 lux	Contact Sales	4064 hours per year
Switching ratio		1:1 or 1:0.5	
Switching delay		10-15 seconds	

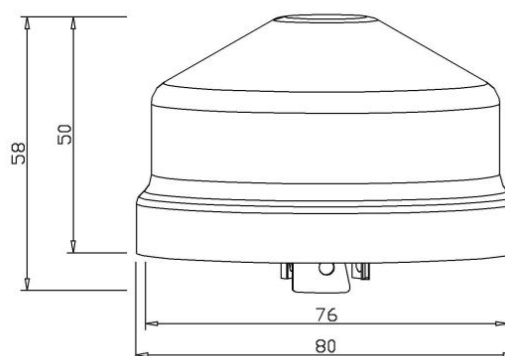
Super 6

High grade photocell suitable for majority of applications across all highway networks. Provides a 10-year warranty.

Specification

Load	
Maximum load for LED lighting	600 Watts
Super 6 is compatible with other light sources. Maximum load for: High Pressure Sodium Metal Halide GLS or incandescent	1200 Watts 1200 Watts 1200 Watts
Supply and Consumption	
Voltage	198-264
Surge Suppression	20 Joules
Frequency	47-63Hz
Consumption in watts	< 0.25
UMSUG Charge Code	94 0001 1000 100
Operating Temperature	
Min/Max operating ambient temp range	-20/+80°C
Compliance and Approvals	
IP Rating	IP66 or IP67
Warranty	10 years
Compliance Standards	BS5972, BS EN IEC 55015, BS EN 60529, BS EN IEC 61000-3-2, BS EN 61000-3-3, BS EN IEC 61000-4-2, BS EN IEC 61000-4-3, BS EN 61000-4-4, BS EN 61000-4-5, BS EN 61000-4-6, BS EN IEC 61000-4-11, BS EN 61547, RoHS. CE, UKCA

Dimensions and Construction:	
Height	50mm
Diameter	80mm
Weight	82g
Fixing	3 pin or 5/7 NEMA base
Control circuitry	Analogue
Terminals	Brass
Body Material	UV stabilised Polycarbonate Enclosure



Order Codes

Order Code	Description	Warranty	Lux On	Lux Off
F6052	Super6 70 Lux 1:0.5 IP67 5-7 pin	10 years	70	35
F6048	Super6 55 Lux 1:0.5 IP67 5-7 pin	10 years	55	28
F6049	Super6 35 Lux 1:0.5 IP67 5-7 pin	10 years	35	18
F6051	Super6 20 Lux 1:1 IP67 5-7 pin	10 years	20	20