

SS12^{CONNECT} miniature photocell



Overview

- A highly effective miniature photocell
- High accuracy and consistency when switching
- Includes a special lens arrangement to maximise acceptance angle
- Pioneering push and click technology creates a faster, improved installation
- Maintenance and upgrade processes are simplified and more efficient due to new connector

Specification

- Superior quality components throughout
- Includes an Electro Magnetic Relay predictive load transfer to minimise switching stresses
- VDR Surge Suppression
- Sensor type: BG Glass Filtered Photodiode
- High accuracy and consistency when switching
- Ingress Protection of IP66 when correctly installed
- Compliance: EN 55015, EN 61000, EN 61347, EN61547 (applicable parts thereof)

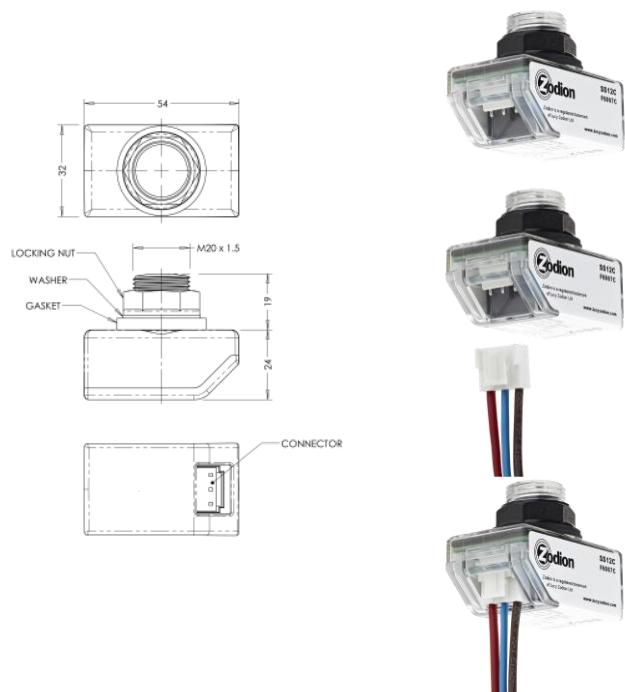
Options*

- Bespoke wiring looms

*Contact Lucy Zodion for options

Construction	
Casing	UV stable, UL94 V-2 flame retardant impact resistant polycarbonate
Device connections	0.75mm tri-rated cable (live in, live out) 0.5mm tri-rated cable (Neutral), push fitting
PCB	High grade reinforced FR4
Lantern mounting	Internal (20mm mounting hole required)

Dimensions	(mm)
Length (L)	53.5
Width (W)	31.5
Height (D)	44



SS12^{CONNECT} miniature photocell

Technical Specification

Model	SS12C	SS12CHT	SS12CXii
Type	Miniature	Miniature High Temperature	High Quality Miniature
Electronic EM Relay Load Switching	Y	Y	Y
Supply Voltage 50/60Hz AC	198-264	198-264	198-264
70 Lux Switch-On Level	Yes	Yes	Yes
55 Lux Option	Yes	Yes	Yes
35 Lux Option	Yes	Yes	Yes
20 Lux Option	Yes	Yes	Yes
Switching Differential	1:1 or 1:0.5 NEG	1:1 or 1:0.5 NEG	1:1 or 1:0.5 NEG
Maximum total load for discharge lighting (eg: HPS, MH) (watts)	500	500	500
Maximum total load for incandescent lighting (watts) / Maximum VA	1200	1200	1200
Maximum total load for LED lighting (watts)	250	250	250
Switching Delay In Seconds	10 - 30	10 - 30	10 - 30
Polycarbonate Enclosure (UV Stabilised)	Yes	Yes	Yes
Consumption in watts	<0.25	<0.25	<0.25
Sensor Drift	Negligible	Negligible	Negligible
Fixing hole diameter	20mm	20mm	20mm
Max Operating Ambient Temp Range (°C)	-20 / +75	-20 / +105	-20 / +75
IP Rating Installed	IP66 installed (potted version available)	IP66 installed (potted version available)	IP66 installed (potted version available)
VDR Voltage Suppression	Yes	Yes	Yes
Compliance	EN 55015, EN 61000, EN 61347, EN61547 (applicable parts thereof)		
Weight	58g	58g	58g
Additional information		Silicone cable insulation and components suitable for high temperatures	High quality components for long life performance (12 year warranty)