

MLNS 5-Way

All insulated connector box



Overview:

- Surface mounting five way connector box for single pole applications

Features:

- Electro-tin plated terminal block for improved conductivity
- Robust thermoplastic housing
- Serrated cable bores accept conductors up to 35mm section
- Two M8 slotted head cable pinching screws per conductor
- Sealing wire facility
- Captive external cover screw
- Removable shields for unused cable entries

Specification:

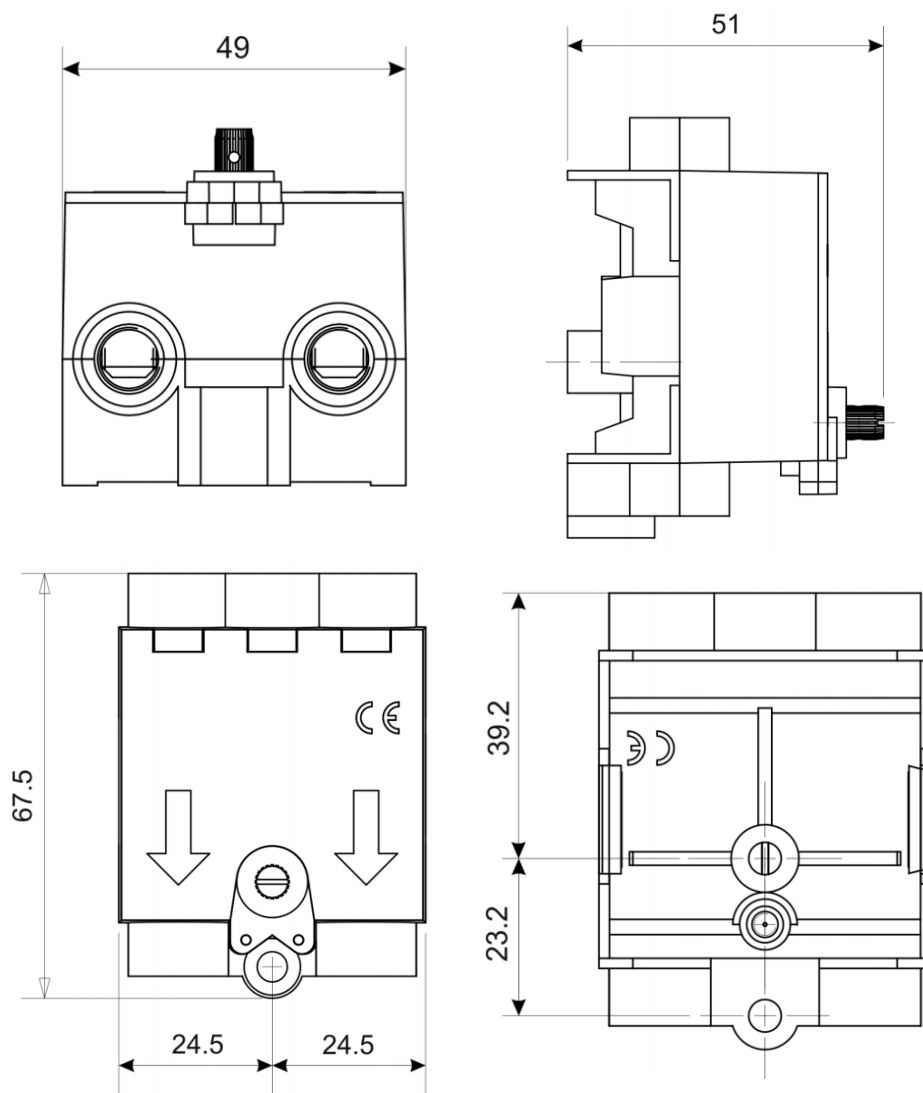
Performance	
Rated Voltage	440 V a.c.
Rated Current	100A
Supply Frequency	50-60 HZ
Flammability Rating	UL94 V2
Self-extinguishing 30 seconds at 960 °C	
Recommended terminal torque	3.5 Nm
Operator Protection	
Operator Protection (35mm conductors, cable insulation fully abutted)	IP4X
Conformity to Standards	
Conforms to	BS 7657:1993
IP rating to	BS EN 60529

Note: The equipment described in this data sheet must be installed by a suitably qualified personnel according to applicable Local / National wiring regulations in currently in force.

Specification continued:

Dimensions and Construction	
Height	68mm
Width	49mm
Depth	42mm
Fixing	23mm
Net Weight	0.182kg
Body and Cover	Polyamide 6
Terminal Blocks	Electro-tin plated brass
Terminal pinching screws	Brass

General arrangement diagrams:



Disclaimer: Lucy Zodion has a policy of continuous research and development thus accordingly reserves the right to change the design and specifications of its products without prior notice or liability.